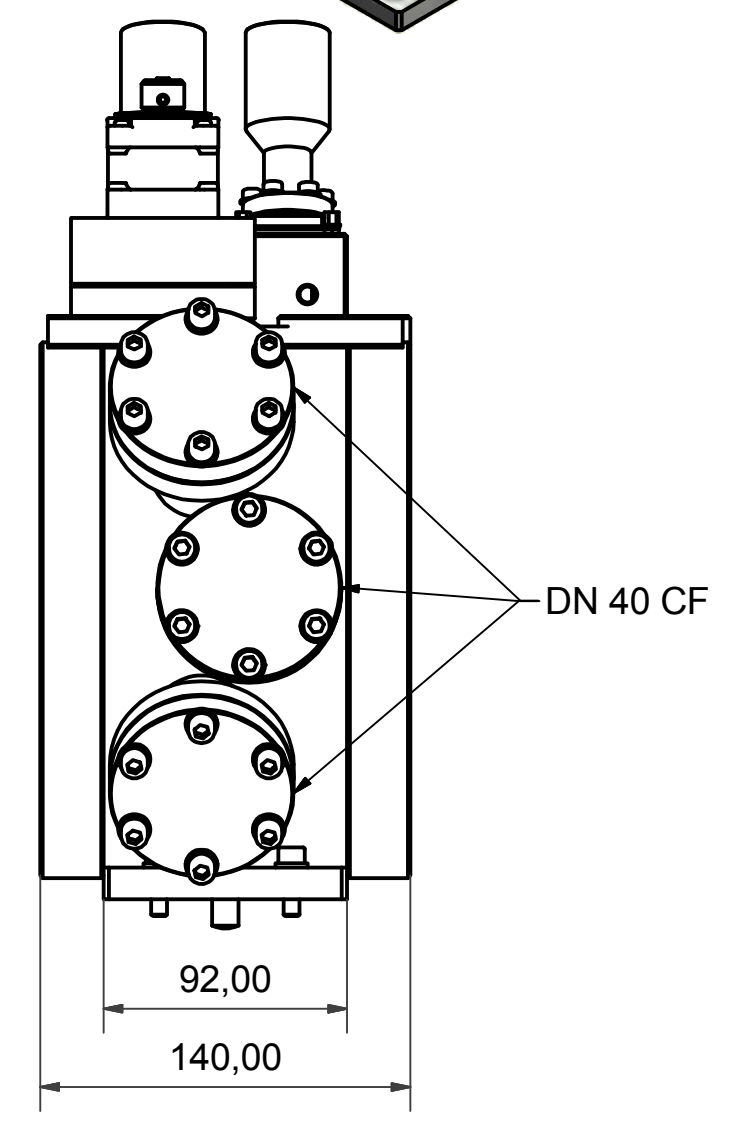
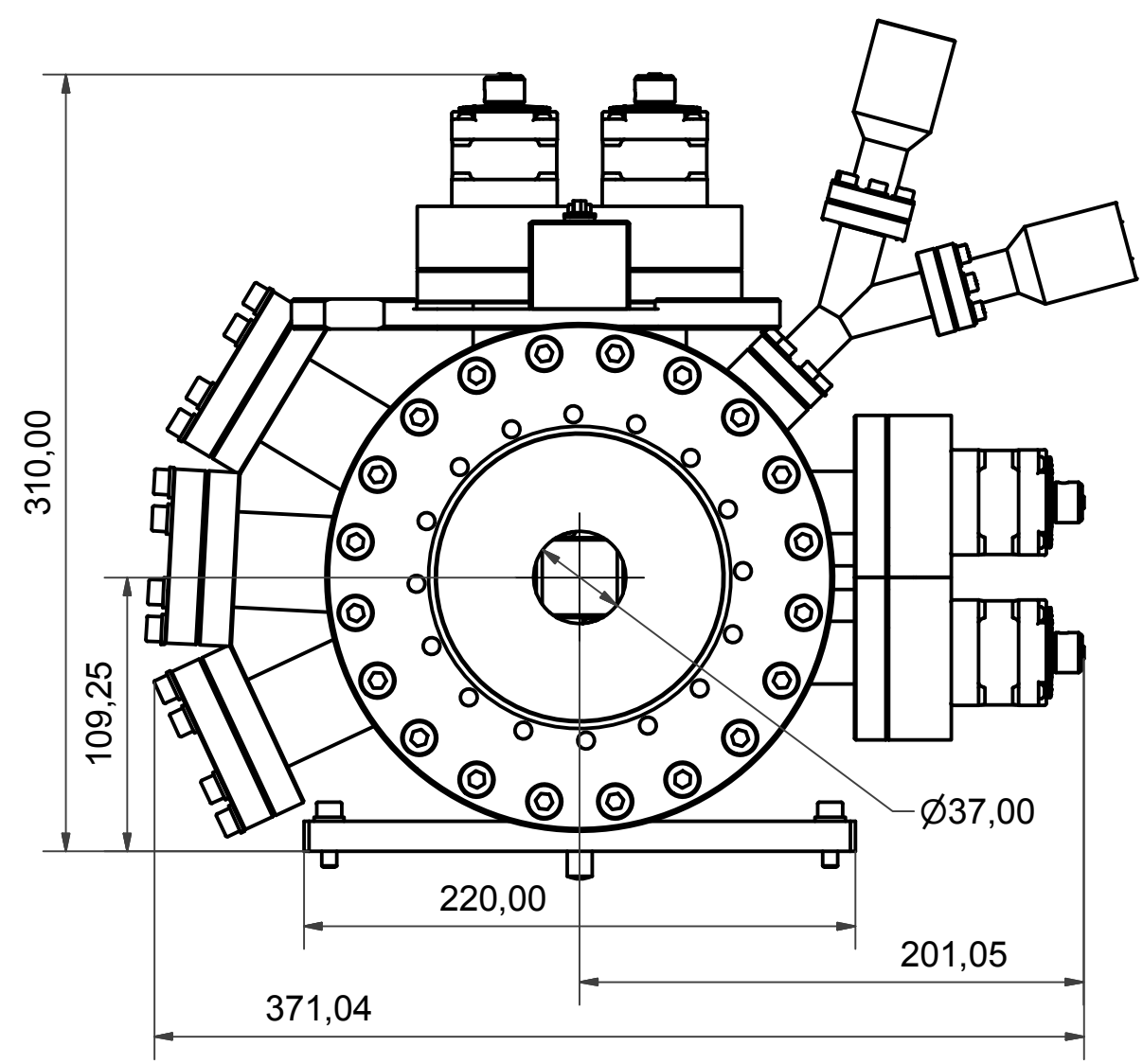
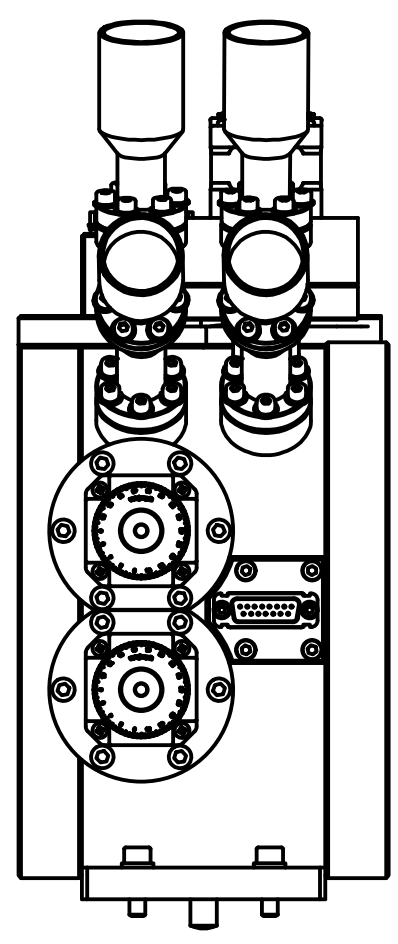
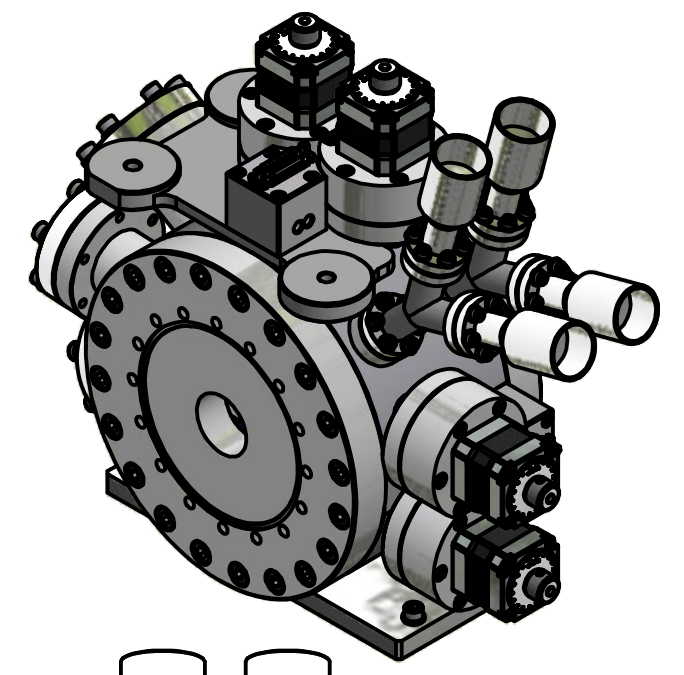
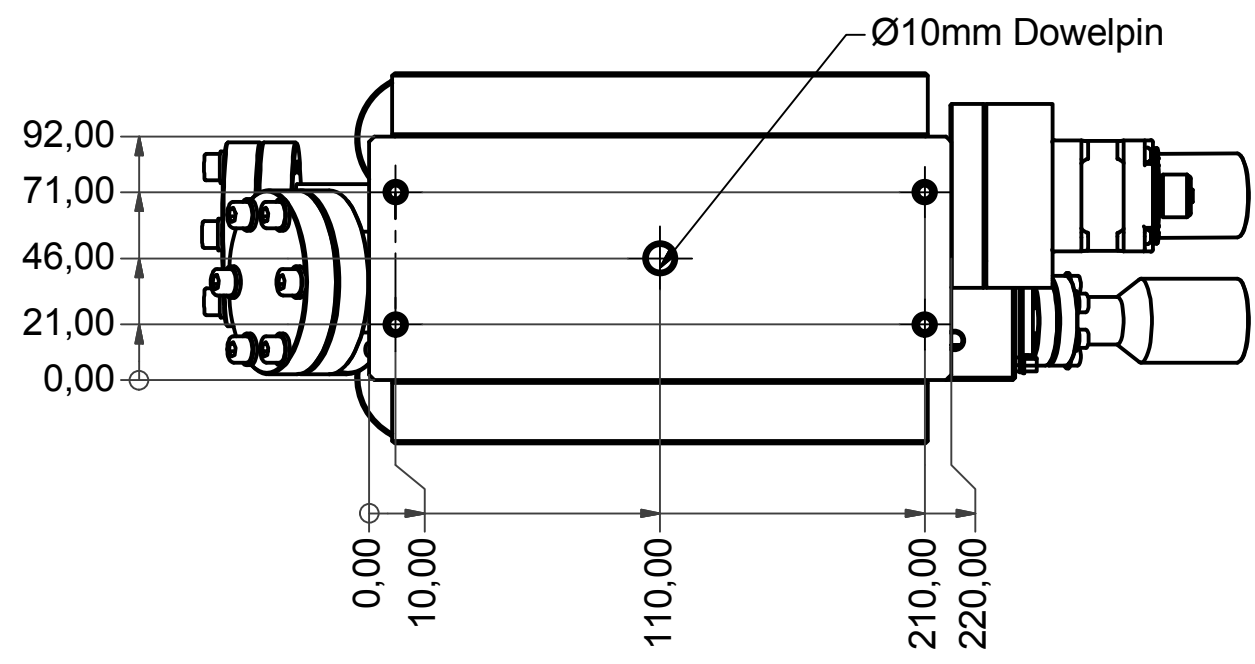


REV	DATE	APPROVED	Changes
0	11-08-2015	HBP	



-All dimension are in mm.
-All Tolerances are accordance with ISO 2768-1 class f, unless otherwise specified.

Tolerances:
-Internal corners R0.2 max.
-Break edges 0,1 - 0,25
-√Rz 0,4 max
-Remove all sharp edges and burrs

Date. 11-08-2015	Rev. 0	QTY.
Designer. JJ X-RAY A/S	Mass.	N/A
Surface Treatment.		
CAD Drawing Number. IB C30 UHV standard		Title. IB-C30-UHV

JJ X-RAY
Danish Science Design

Project Name.
JJ X-Ray. IB-C30 UHV

Remarks.
Scale: 1:1
Drawing Size. A3