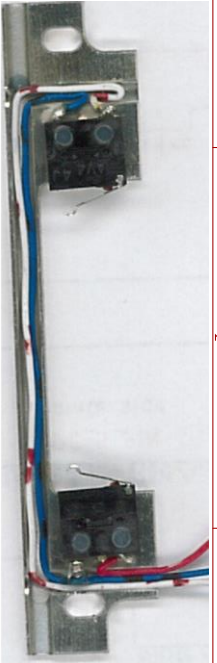
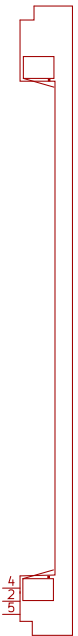


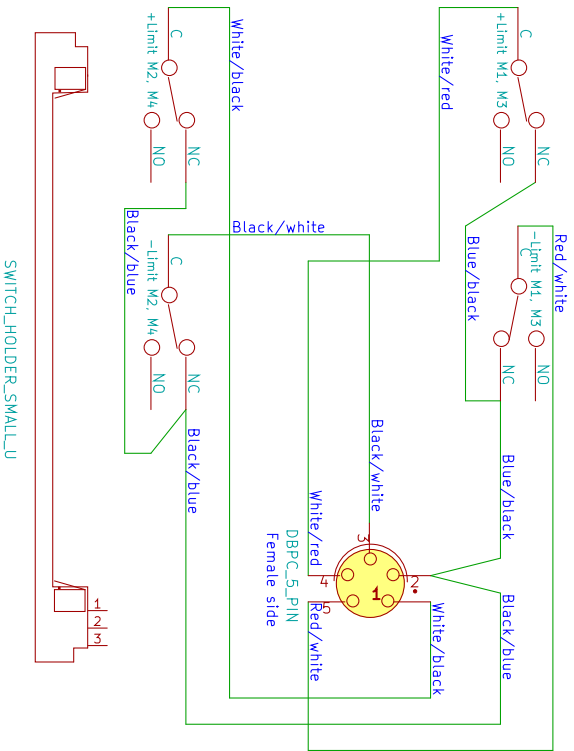
# Motor flange



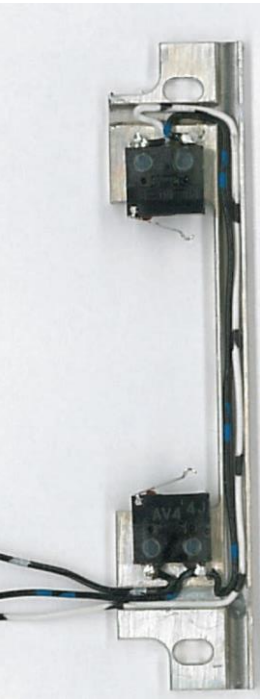
SWITCH\_HOLDER\_SMALL



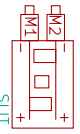
# Inside slit



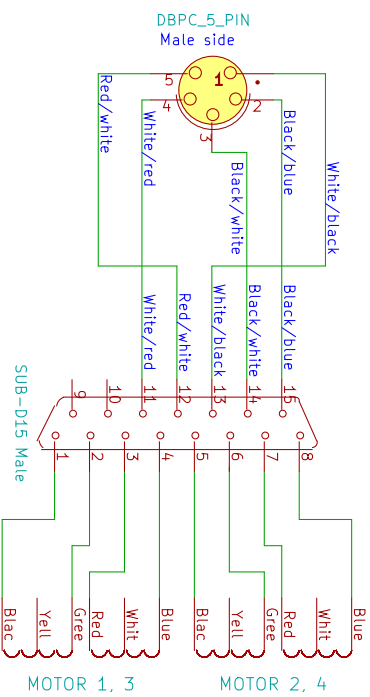
SWITCH\_HOLDER\_SMALL\_U



Crimp-Tool på 3 + rør og tape



SLIT



DBPC\_5\_PIN Male side

SUB-D15 Male

MOTOR 1, 3

MOTOR 2, 4

JJ X-RAY Michael Andersen	
File: ibc22hv_old wire.sch	
Sheet: /	
Title: IB-C22-HV	
Size: A4	Date: 30 Jul 2020
KICad E.D.A. eeschema (2013-05-16 BZR 4016) -stable	
	Rev: 1.0
	Id: 1/1