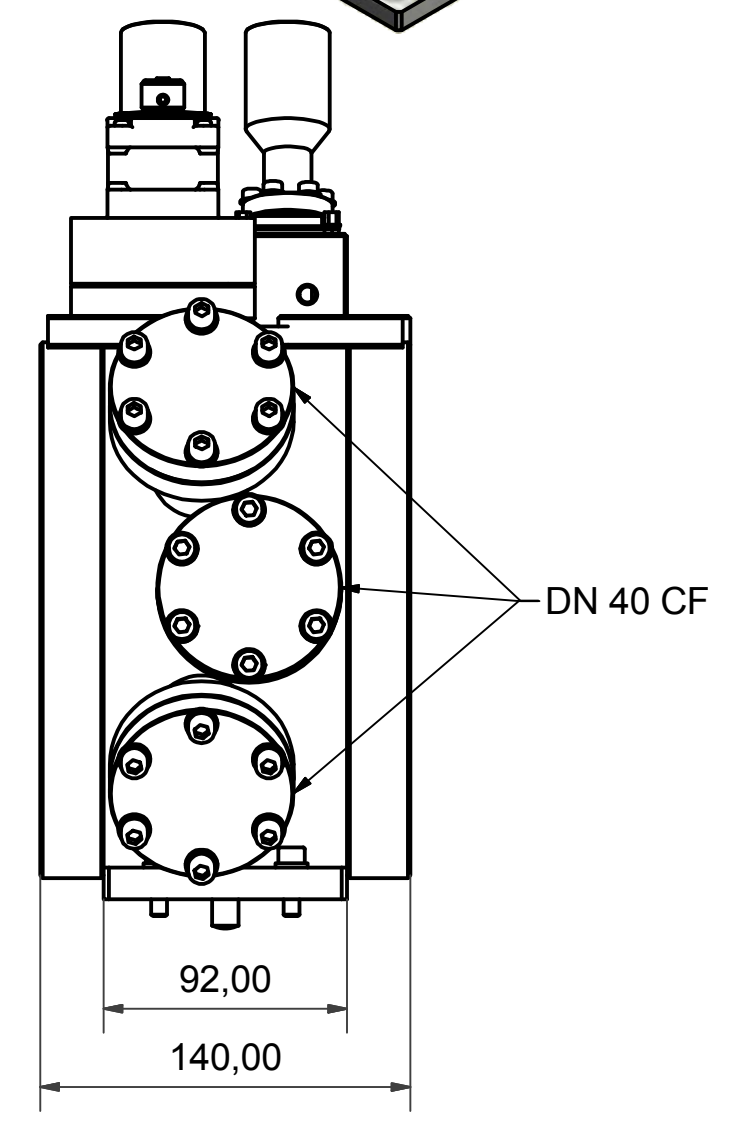
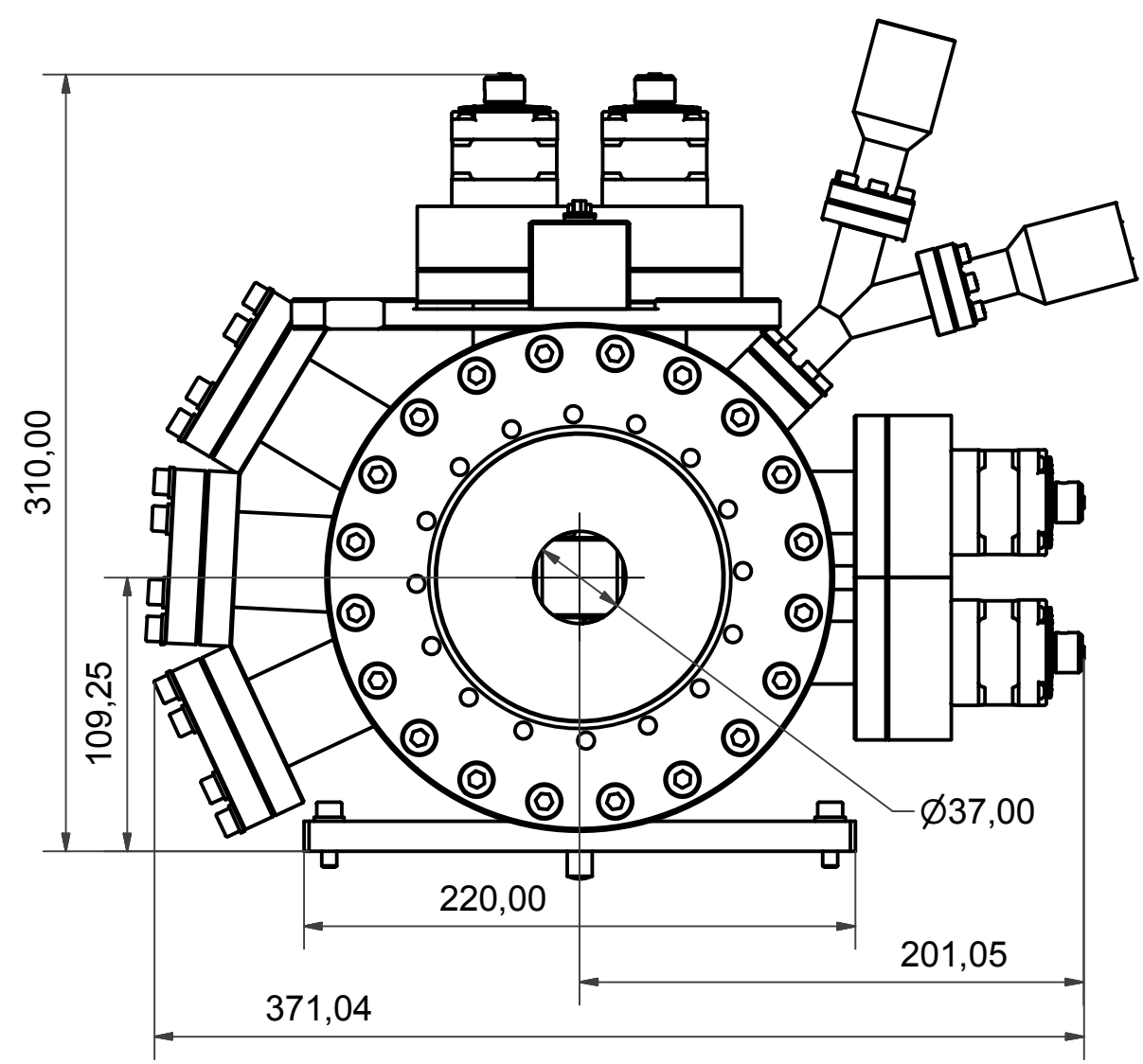
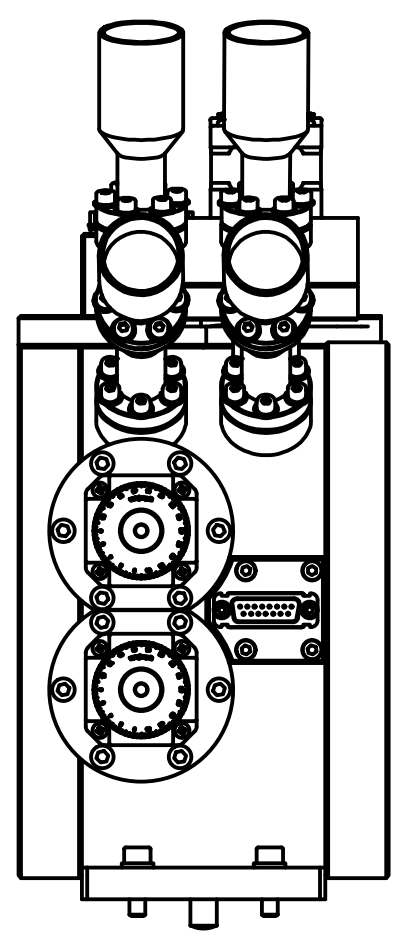
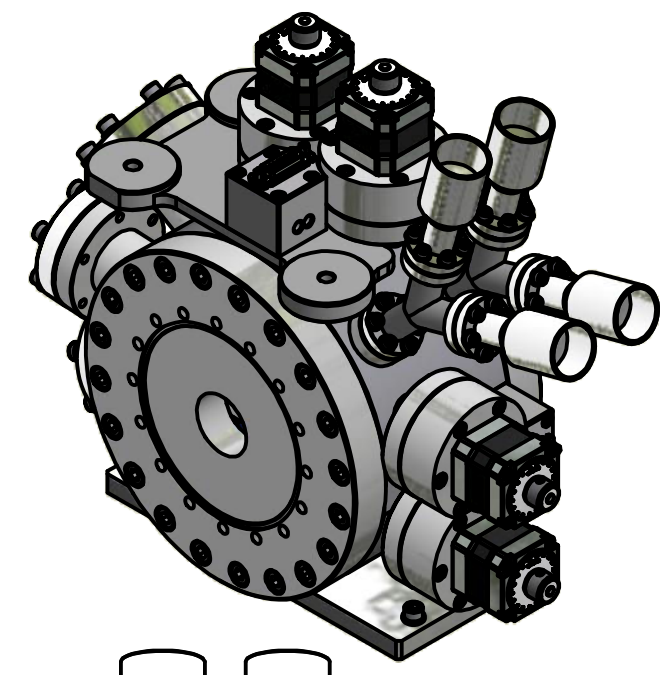
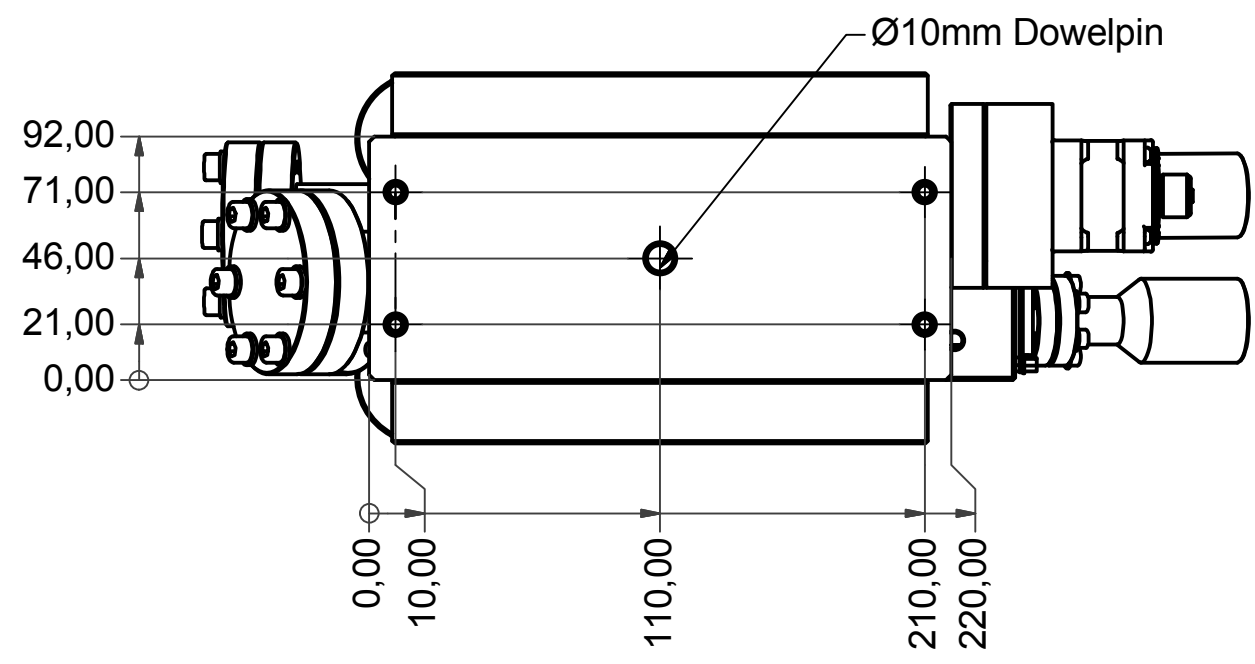



REV	DATE	APPROVED	Changes
0	11-08-2015	HBP	



-All dimension are in mm. -All Tolerances are accordance with ISO 2768-1 class f, unless otherwise specified. Tolerances: -Internal corners R0.2 max. -Break edges 0,1 - 0,25 - \sqrt{Rz} 0,4 max -Remove all sharp edges and burrs	Date.	Rev.	QTY.	 JJ X-RAY Danish Science Design	Remarks.
	11-08-2015	0			
	Designer.	Mass.	Project Name.		
	JJ X-RAY A/S	N/A	JJ X-Ray. IB-C30 UHV		
Surface Treatment.	Title.		Scale:	Drawing Size.	
	IB C30 UHV standard		IB-C30-UHV	A3	